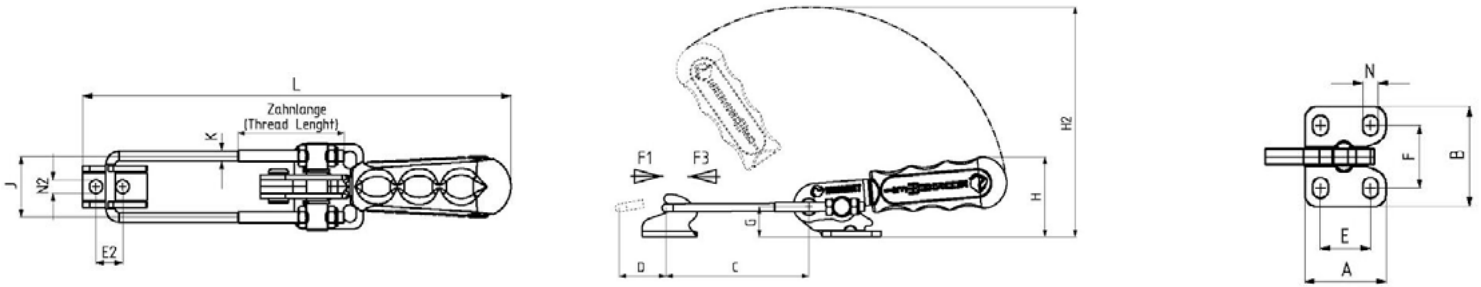


321-Latch Toggle Clamp with U Hook

Body Mounting Base: Horizontal

Part Number	F1 (kg)	F3 (kg)	Thread Length
19-321-1	101	152	40

F1 Exerting Force. F3 Holding Capacity



Part Number	A	B	C min.	C max.	D	E	E2	F	G	H	H2	J	K	L min.	L max.	N	N2
19-321-1	26	32	25	65	20	16	10	18.5-21.5	13	35	100	23	M4	125	165	5x6.5	5

341-Latch Toggle Clamps with U Hook

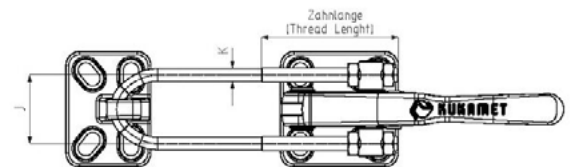
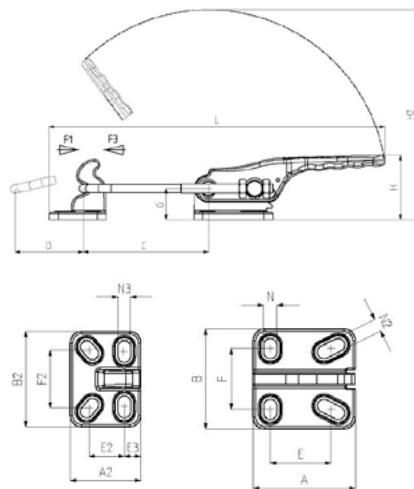
Body Mounting Base: Casting

Part Number	F1 (kg)	F3 (kg)	Thread Length
19-341-4	1529	1733	90

F1 Exerting Force. F3 Holding Capacity

Features

- Strong & suitable for heavy duty
- Base, arm and stretching part are made of strong GGG-60 casting material, painted with black electroplastic powder paint
- Hook & pins made from steel, galvanized for corrosion resistance



Part Number	A	A2	B	B2	C min.	C max.	D	E	E2	E3	F	F2	G	H	H2	J	K	L min.	L max.	N	N2	N3
19-341-4	86	62	84	84	50	140	80	45-57	28-33	15	45-57	45-57	33.5	69	230	50	M10	275	365	11x17	11x24	11x19