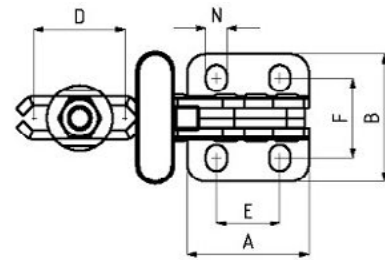
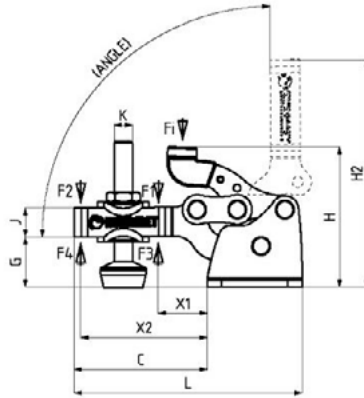


## 251- Compact Toggle Clamps

Body Mounting Base: Horizontal

Part Number	F1 (kg)	F2 (kg)	F3 (kg)	F4 (kg)	Fi		Angle
					F1:Fi	F2:Fi	
19-251-2	47	38	71	57	3:1	2:1	90 °
19-251-3	142	105	165	122	3:1	2:1	90 °
19-251-4	203	139	343	249	4:1	2.5:1	90 °

F1-F2 Exerting Force. F3-F4 Holding Capacity. Fi Applied Force



Part Number	A	B	C	D	E	F	G	H	H2	J	K	L	N	X1	X2
19-251-2	26	27	36	17	13.5	16-18	14	38	62	8	M5	62	4.5x5.5	19	27
19-251-3	44	47	56	27	23	29-31	23	63	100	13	M8	100	7.5x8.5	27	43
19-251-4	64	63	79	37	35	38-41	35	93	143	19	M10	143	9x10.5	39	63