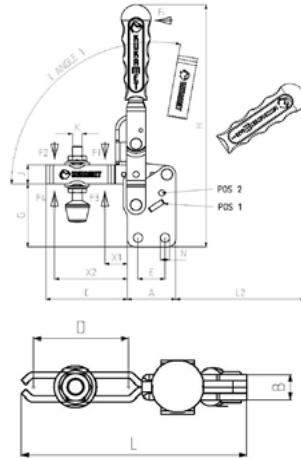
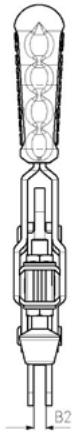


212 - Vertical Toggle Clamps

Body Mounting Base: Vertical

Part Number	F1 (kg)	F2 (kg)	F3 (kg)	F4 (kg)	Fi		Compression Screw	Angle	
					F1:Fi	F2:Fi		POS1	POS2
19-212-3	203	142	254	159	11:1	8:1	M8 x 50	105 °	-
19-212-4	305	203	336	224	11.5:1	8:1	M10 x 70	135 °	105 °

F1-F2 Exerting Force. F3-F4 Holding Capacity. Fi Applied Force

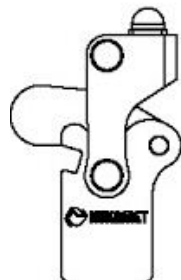
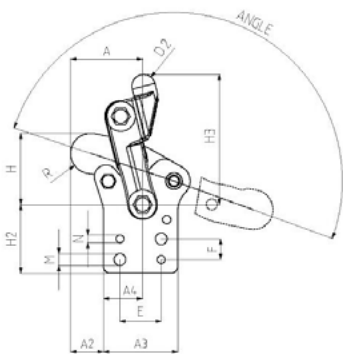


Part Number	A	B	B2	C	D	E	G	H	J	K	L	L2	M	N	X1	X2
19-212-3	40	12	6	67	42	22.5	52	202	16	M8	107	110	-	7.5	25	52
19-212-4	52	16	8	100	67	32	70	262	20	M10	152	160	8.5	9	34	82

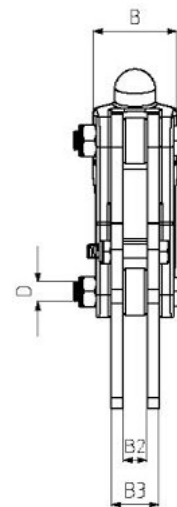
222- Vertical Modular Toggle Clamps

Body Mounting Base: Vertical & Fixed

Part Number	F1 (kg)	Angle
19-222-4	713	190



Forged Steel Arm



Part Number	A	A2	A3	A4	B	B2	B3	D	D2	E	F	H	H2	H3	M	N	R
19-222-4	52	23.5	54	28.5	36	10	20	M8	17	30	15	52	50	94.5	8.5	5.7	15