

Elevator Clamp Type

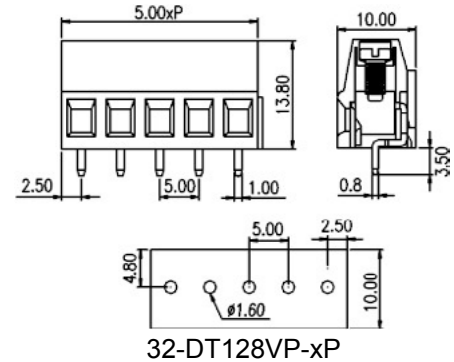
for secure repeatable connection

2 & 3 Pole Modular Interlocking Housing: Polyamide 66 Green (UL94V0)
 Approvals: UL, VDE, CE

DT128V & DEK508 Series

Vertical - Max Volts 300V

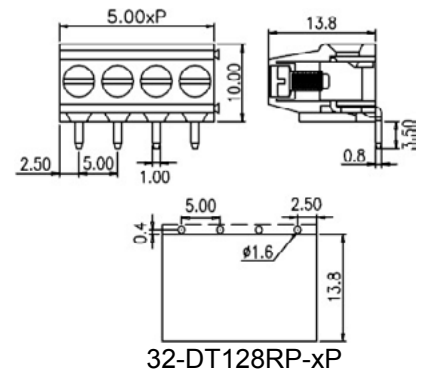
Part Number	Poles	Pitch mm	Max Current	Max mm ²
32-DT128VP-2P	2	5.0	20A	2.5
32-DT128VP-3P	3	5.0	20A	2.5
32-DEK508V-2P	2	5.08	20A	2.5
32-DEK508V-3P	3	5.08	20A	2.5
32-DT128VP-2P3	2	7.5	20A	2.5
32-DT128VP-3P3	3	7.5	20A	2.5



DT128R Series

Right Angle - Max Volts 300V

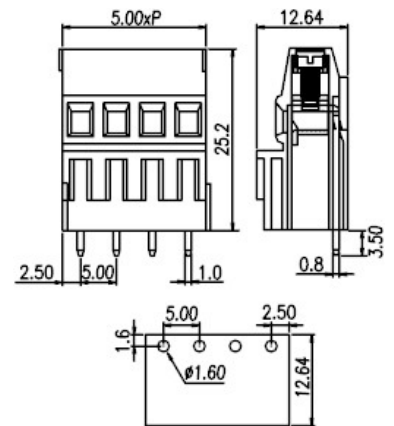
Part Number	Poles	Pitch mm	Max Current	Max mm ²
32-DT128RP-2P	2	5.0	20A	2.5
32-DT128RP-3P	3	5.0	20A	2.5
32-DT128RP-2P3	2	7.5	20A	2.5
32-DT128RP-3P3	3	7.5	20A	2.5



DT103 Series

45° Entry - Max Volts 300V

Part Number	Poles	Pitch mm	Max Current	Max mm ²
32-DT103-2P	2	5.0	10A	2.5
32-DT103-3P	3	5.0	10A	2.5



Screws M2.5 Combination

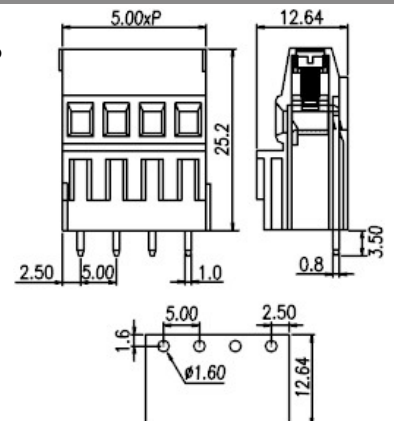
Bi-Level Elevator Clamp Type

Dual Vertical

Use with 32-DT128VP series
 Approvals : UL , VDE, CE
 2Px2 & 3Px2 Modular Interlocking
 Pins: 0.8 x 1.0mm
 Housing: Polyamide 66 Green (UL94V0)

DEEK500V Series - Max Volts 300V

Part Number	Poles	Pitch mm	Max Current	Max mm ²
32-DEEK500V-2P	4	5.0	20A	2.5
32-DEEK500V-3P	6	5.0	20A	2.5



Screws M2.5 Combination