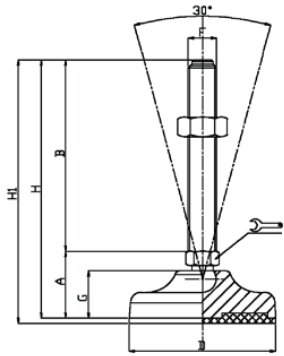


Plastic Line | Stainless Steel

Black Polyamide Plastic Base 40 Diameter - 30 Deg. Articulated Stainless Steel Screw

Static Load 10000 Newton • 12 Socket • Non-Skid NBR Rubber 70 shore pads available

Part no. Base	Part no. Screw	Screw	S	B	D	Adjust	F	G	H
11-FBP12-40	11-ASSS12-8-025	M8X25	27	25	40	12	M8	16.5	52
11-FBP12-40	11-ASSS12-8-050	M8X50	27	50	40	12	M8	16.5	77
11-FBP12-40	11-ASSS12-8-075	M8X75	27	75	40	12	M8	16.5	102
11-FBP12-40	11-ASSS12-10-050	M10X50	27	50	40	12	M10	16.5	77
11-FBP12-40	11-ASSS12-10-100	M10X100	27	100	40	12	M10	16.5	127
11-FBP12-40	11-ASSS12-10-125	M10X125	27	125	40	12	M10	16.5	152
11-FBP12-40	11-ASSS12-12-075	M12X75	27	75	40	12	M12	16.5	102
11-FBP12-40	11-ASSS12-12-100	M12X100	27	100	40	12	M12	16.5	127
11-FBP12-40	11-ASSS12-12-125	M12X125	27	125	40	12	M12	16.5	152

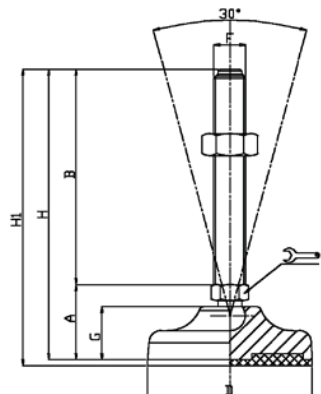


Two piece part

Black Polyamide Plastic Base 50 Diameter - 30 Deg. Articulated Stainless Steel Screw

Static Load 11000 Newton • 12 Socket • Non-Skid NBR Rubber 70 shore pads available

Part no. Base	Part no. Screw	Screw	S	B	D	Adjust	F	G	H
11-FBP12-50	11-ASSS12-10-050	M10X50	30	50	50	14	M10	20	83
11-FBP12-50	11-ASSS12-10-100	M10X100	30	100	50	14	M10	20	133
11-FBP12-50	11-ASSS12-10-125	M10X125	30	125	50	14	M10	20	158
11-FBP12-50	11-ASSS12-12-075	M12X75	30	75	50	14	M12	20	108
11-FBP12-50	11-ASSS12-12-100	M12X100	30	100	50	14	M12	20	133
11-FBP12-50	11-ASSS12-12-125	M12X125	30	125	50	14	M12	20	158



Two piece part