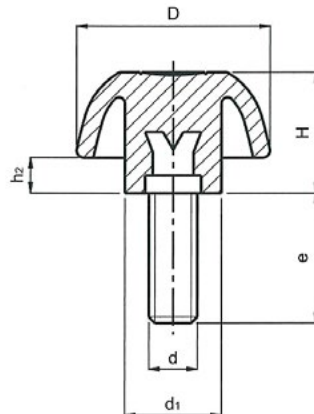


1138 - Knob MTC Thermoplastic - Male

Available in black or orange reinforced thermoplastic • Treated threaded steel stud

Part Number	D	H	d1	d	e	h2
11-KPMX25S4-15	25	16	13	M4	15	5
11-KPMX25S5-20	25	16	13	M5	20	5
11-KPMX25S6-20	25	16	13	M6	20	5
11-KPMX32S6-10	32	20	15	M6	10	6
11-KPMX32S6-20	32	20	15	M6	20	6
11-KPMX32S6-30	32	20	15	M6	30	6
11-KPMX32S8-27	32	20	15	M8	27	6
11-KPMX40S6-15*	40	25	16	M6	15	8
11-KPMX40S6-20	40	25	16	M6	20	8
11-KPMX40S6-30	40	25	16	M6	30	8
11-KPMX40S6-40	40	25	16	M6	40	8
11-KPMX40S8-15	40	25	16	M8	15	8
11-KPMX40S8-20*	40	25	16	M8	20	8
11-KPMX40S8-33	40	25	16	M8	33	8
11-KPMX40S8-47	40	25	16	M8	47	8
11-KPMX40S10-20	40	25	16	M10	20	8
11-KPMX40S10-33	40	25	16	M10	33	8
11-KPMX40S10-44	40	25	16	M10	44	8
11-KPMX50S8-15	50	31	21	M8	15	9
11-KPMX50S8-27	50	31	21	M8	27	9
11-KPMX50S8-40	50	31	21	M8	40	9
11-KPMX50S10-33	50	31	21	M10	33	9
11-KPMX50S10-50	50	31	21	M10	50	9
11-KPMX63S10-33	63	39	23	M10	33	12
11-KPMX63S12-40	63	39	23	M12	40	12
11-KPMX63S16-55	63	39	23	M16	55	12

11-KPMX X = B - Black
O - Orange



*Available with treated stainless steel stud